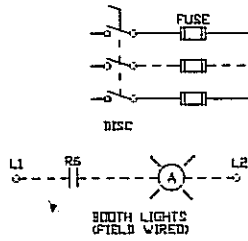
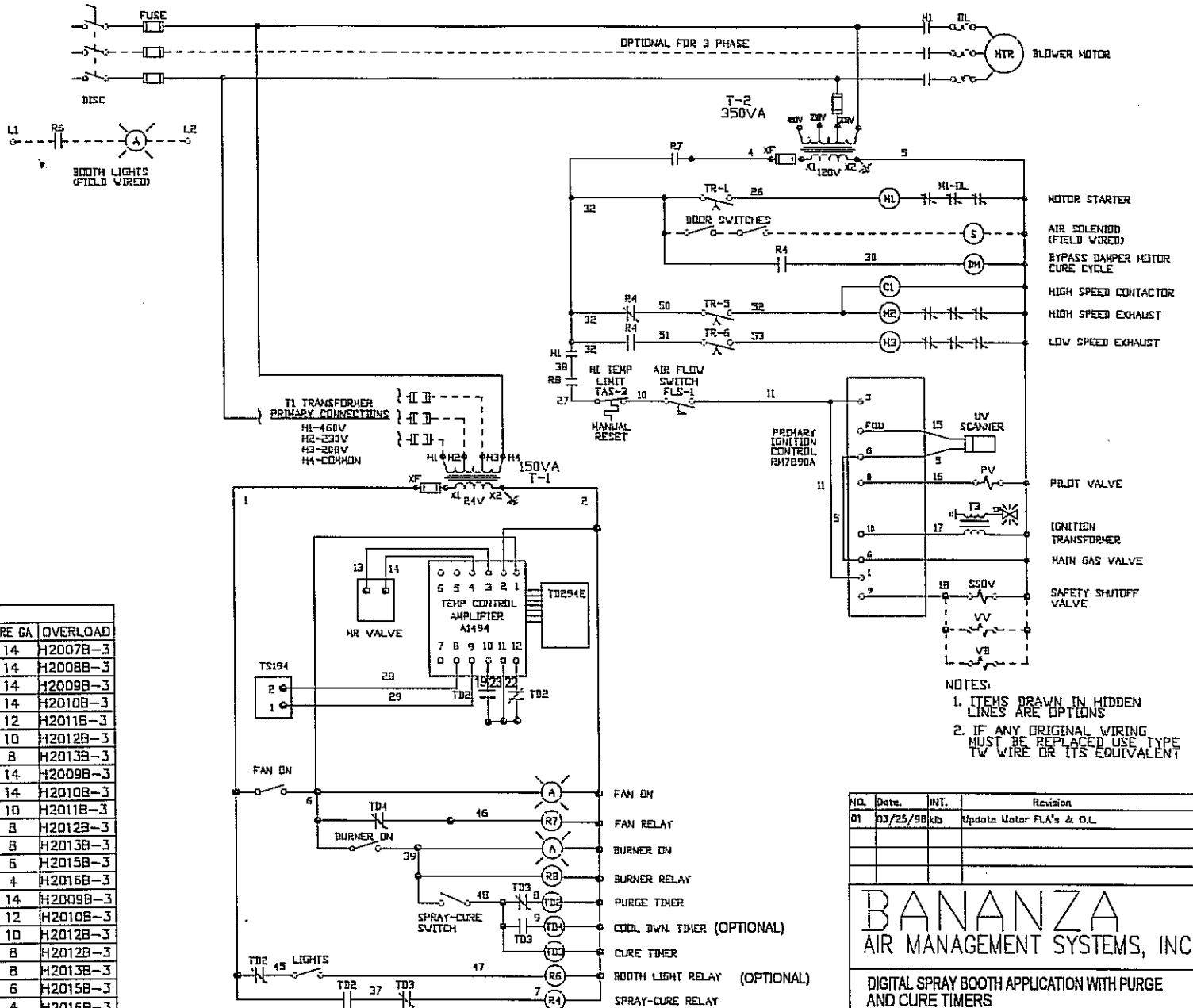


SYMBOL	DESCRIPTION
	MOTORIZED INLET DAMPER MOTOR
	NORMALLY OPEN CONTACTS
	NORMALLY CLOSED CONTACTS
	RELAY COIL
	MOTOR
	STARTER COIL
	PRESSURE ACTUATED SWITCH
	TEMPERATURE ACTUATED SWITCH
	FLOW SWITCH
	VALVE SOLENOID
	HANDUAL SWITCH
	LIGHT
	TIME CLOCK
	SHIELDED CABLE
	TRANSFORMER
	SPARK IGNITER
	FUSE
	DAMPER MOTOR



MOTOR CHART						
VOLTS	HP	FRAME	FLA	FUSE	WIRE GA	OVERLOAD
460V	2	145T	3.0	6 1/2	14	H2007B-3
	3	182T	4.2	7	14	H2008B-3
	5	184T	6.5	12	14	H2009B-3
	7 1/2	213T	9.5	15	14	H2010B-3
	10	215T	12.3	20	12	H2011B-3
	15	254T	19	30	10	H2012B-3
230V 3φ	2	145T	5.9	12	14	H2009B-3
	3	182T	8.3	15	14	H2010B-3
	5	184T	12.9	25	10	H2011B-3
	7 1/2	213T	19	35	8	H2012B-3
	10	215T	24.7	40	8	H2013B-3
	15	254T	38	60	6	H2015B-3
208V	2	145T	6.0	12	14	H2009B-3
	3	182T	8.7	17 1/2	12	H2010B-3
	5	184T	14.3	25	10	H2012B-3
	7 1/2	213T	21.0	35	8	H2012B-3
	10	215T	27.3	45	8	H2013B-3
	15	254T	41.0	70	6	H2015B-3
230V 1φ	2	145T	11.6	17 1/2	12	H2011B-3
	3	182T	19	25	8	H2012B-3
	5	182T	22	35	8	H2013B-3
	7.5	182T	35.5	50	6	H2015B-3
	10	182T	48.0	60	6	H2016B-3



NOTES:  
1. ITEMS DRAWN IN HIDDEN LINES ARE OPTIONS  
2. IF ANY ORIGINAL WIRING MUST BE REPLACED USE TYPE TW WIRE OR ITS EQUIVALENT

NO.	Date	INT.	Revision
01	03/25/98	klb	Update Motor FLA's & O.L.

**BANANZA**  
AIR MANAGEMENT SYSTEMS, INC.

DIGITAL SPRAY BOOTH APPLICATION WITH PURGE AND CURE TIMERS  
SHOWING OPTIONAL BOOTH LIGHT SWITCH AND COOL DOWN TIMER.  
ENGINEER:  
SUBMITTED BY:  
DRAWN BY: JHM DATE: 04/15/93 CWD BY:  
DRAWING NO. SHEET 1 OF 1 SCALE:  
FILE: DIGLSKD PLOT: REV: